

Traditional Soap Dispenser

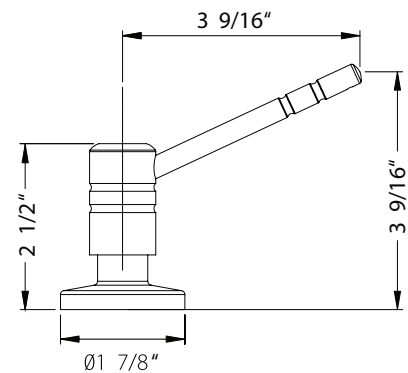
- Model 170-2700-PC** : Polished Chrome
170-2700-BN : Brushed Nickel
170-2700-OB : Oil Rubbed Bronze
170-2700-BB : Brushed Brass
170-2700-AB : Antique Brass
170-2700-AC : Antique Copper



170-2700

FEATURES

- Solid brass construction pump
- Soap Dispensing with Accurate Dosage
- 12 Oz. large capacity food grade safe plastic soap bottle
- 360° degree Swivel Soap Dispenser
- Available in 2 finish options
- Limited Lifetime Warranty



AVAILABLE FINISHES

HAMATUSA has a wide range of finish options, utilizing various technologies: fully automated polishing and brushing plating line, electrostatic powder coating line, and PVD capabilities that allow for a vast range of different finishes such as metallic, brass, pewter, copper and practically any other finish possible.



Polished Chrome



Brushed Nickel



Oil Rubbed
Bronze



Antique Brass



Brushed Brass



Antique Copper

Project/Job name

Architect/Engineer

Contractor

Model

Q'ty

Notes