

Chelsea Fireclay Collection
Fire Clay Apron Front Single Bowl

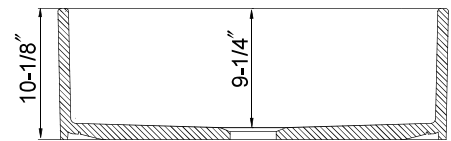
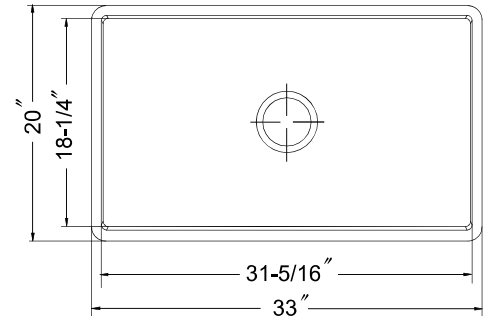
- Model** CHE-3320SA-WH - White
 CHE-3320SA-BQ - Biscuit
 CHE-3320SA-MB - Matte Black
 CHE-3320SA-MG - Matte Gray
 CHE-3320SA-MWH - Matte White
 CHE-3320SA-MZ - Marble White and Gray



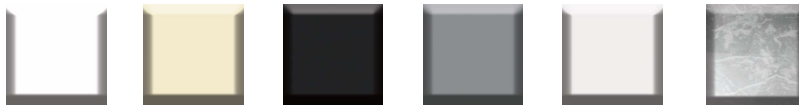
FEATURES

CHE-3320SA

- Apron Front Installation
- Non-porous glossy surface
- Reversible design allows for either flat front or fluted and belted front
- 9-1/4" interior depth
- 3-1/2" drain opening
- Chip, crack and scratch resistant
- Available in 6 colors
- Requires Custom Cabinet
- Supplied with fasteners and instructions
- No cut out template is supplied as each sink dimension will vary due to the nature of fireclay manufacturing process.
- Lifetime Limited Warranty



OPTIONAL COLORS



White Biscuit Matte Black Matte Gray Matte White Marble

Color variations possible due to printing constraints.

OVERALL DIMENSIONS	EACH BOWL	PACKAGING*	WEIGHT*
33" x 20"	31-5/16" x 18-1/4"	1/10 pcs.	130/1340lbs.

*Standard packaging: Single boxed /Pallet of single boxed.
 All dimensions are in inches. Specifications subject to change without notice.

OPTIONAL ACCESSORIES

- Bottom Grid: SWG-3118F
- Strainer : BAS-2000-SS

Project/Job name _____

Architect/Engineer _____

Contractor _____

Model _____ Q'ty _____

Notes _____