

Chelsea Fireclay Collection
Fire Clay Apron Front Workstation Single Bowl

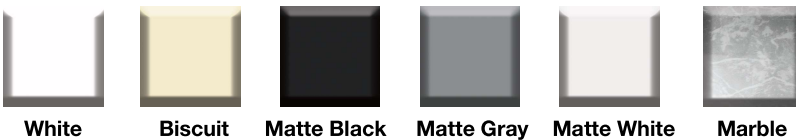
- Model** CHE-3320SAW-WH - White
 CHE-3320SAW-BQ - Biscuit
 CHE-3320SAW-MB – Matte Black
 CHE-3320SAW-MG – Matte Gray
 CHE-3320SAW-MWH – Matte White
 CHE-3320SAW-MZ – Marble White and Gray



FEATURES

- Apron Front Installation
- Dual level work ledge
- Reversible – high side ledge can be on left or right
- Includes: Wood cutting board, drying tray, multi-purpose roll-up mat, bottom grid, and basket strainer
- Non-porous glossy surface
- Chip, crack and scratch resistant
- Requires custom cabinet
- 9-1/4" interior depth / 10-1/8" exterior depth
- 3-1/2" drain opening
- 6 distinctive colors
- No cut out template is supplied as each sink dimension will vary due to the nature of the fireclay manufacturing process
- Limited Lifetime Warranty

OPTIONAL COLORS



Color variations possible due to printing constraints.

OVERALL DIMENSIONS	EACH BOWL	PACKAGING*	WEIGHT*
33" x 20"	31-5/16" x 17-13/16"	1/10 pcs.	130/1340lbs.

*Standard packaging: Single boxed /Pallet of single boxed.
 All dimensions are in inches. Specifications subject to change without notice.

Project/Job name _____

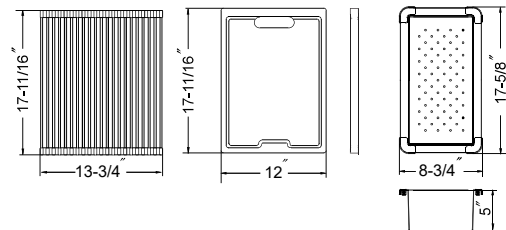
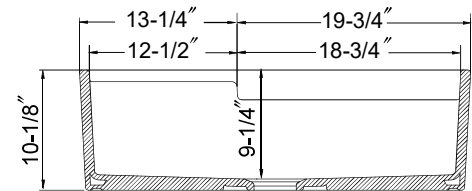
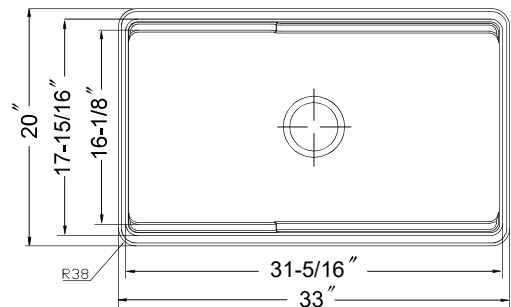
Architect/Engineer _____

Contractor _____

Model _____ Q'ty _____

Notes _____

CHE-3320SAW



OPTIONAL ACCESSORIES

- Bottom Grid: SWG-3116F Drying Tray: DRY-918
 Cutting Board : CUT-1318 Roll-Up Mat: ROL-1418
 Strainer: BAS-2000-SS