

## Classic Collection

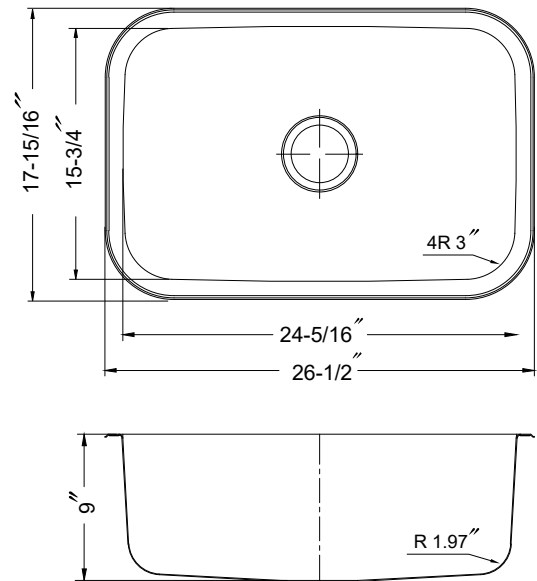
# Undermount Single Bowl Model CLA-2718S



### FEATURES

CLA-2718S

- Premium grade T-304 stainless steel
- 9" depth • 18 gauge
- StoneShield undercoating over Sound Deadening pad
- Spexedge
- Lustrous satin with highlighted rim
- Fits 30" sink base
- 3-1/2" drain opening
- Supplied with cutout template, fasteners and instructions
- Lifetime Limited Warranty



### OPTIONAL ACCESSORIES

- Bottom Grid: SWG-2516
- Cutting Board : CUT-1417
- Strainer: BAS-2000-SS

OVERALL DIMENSIONS	EACH BOWL	CUTOUT SIZE	PACKAGING*	WEIGHT*
26-1/2" x 17-15/16"	24-5/16" x 15-3/4"	See Template	1/16/20 pcs.	15/280/260 lbs.

\*Standard packaging: Single boxed /Pallet of single boxed/Pallet of bulk pack.  
All dimensions are in inches. Specifications subject to change without notice.

Project/Job name \_\_\_\_\_

Architect/Engineer \_\_\_\_\_

Contractor \_\_\_\_\_

Model \_\_\_\_\_

Qty \_\_\_\_\_

Notes \_\_\_\_\_

### Installation profile

