

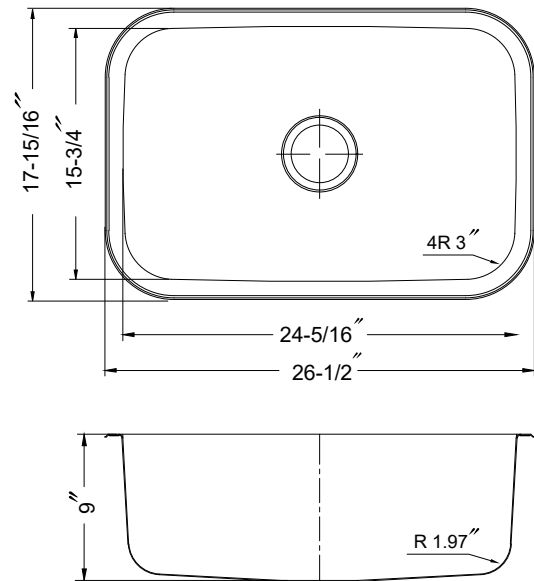
Enterprise Collection
Undermount Single Bowl
Model ENT-2718S



FEATURES

ENT-2718S

- Premium grade T-304 stainless steel
- 9" depth • 18 gauge
- StoneShield undercoating over Sound Deadening pad
- Lustrous satin with highlighted rim
- Fits 30" sink base
- 3-1/2" drain opening
- Supplied with cutout template, fasteners and instructions
- 10 year Limited Warranty



OPTIONAL ACCESSORIES

- Bottom Grid: SWG-2516
- Cutting Board : CUT-1417
- Strainer: BAS-2000-SS

OVERALL DIMENSIONS	EACH BOWL	CUTOUT SIZE	PACKAGING*	WEIGHT*
26-1/2" x 17-15/16"	24-5/16" x 15-3/4"	See Template	1/16/20 pcs.	15/280/260 lbs.

*Standard packaging: Single boxed /Pallet of single boxed/Pallet of bulk pack.
 All dimensions are in inches. Specifications subject to change without notice.

Project/Job name _____

Architect/Engineer _____

Contractor _____

Model _____ Qty _____

Notes _____

Installation profile

