

Enterprise Collection

Undermount Gourmet Single Bowl Model ENT-3218S



ENT-3218S

FEATURES

- Premium grade T-304 stainless steel
- 9" depth • 18 gauge
- StoneShield undercoating over Sound Deadening pad
- Lustrous satin with highlighted rim
- Fits 36" sink base
- 3-1/2" drain opening
- Supplied with cutout template, fasteners and instructions
- Complies with ASME A112.19.3-2000, cUPC®
- 10 year Limited Warranty

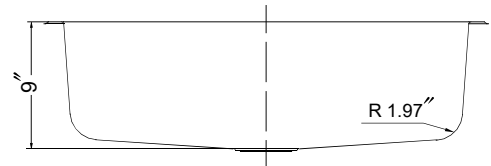
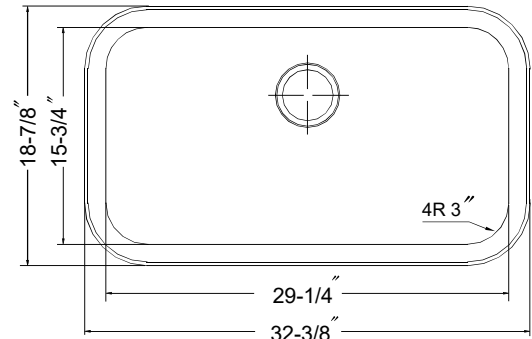


ASME A112.19.3-2008

TYPE304
PREMIUM STAINLESS STEEL

StoneShield™
UNDERCOATING PROTECTION

SOUND
DEADENING PADS



OPTIONAL ACCESSORIES

Bottom Grid: SWG-2714

Cutting Board : CUT-1417

Strainer: BAS-2000-SS

OVERALL DIMENSIONS	EACH BOWL	CUTOUT SIZE	PACKAGING*	WEIGHT*
32-3/8" x 18-7/8"	29-1/4" x 15-3/4"	See Template	1/16/5/20 pcs.	21/370/120/400 lbs.

*Standard packaging: Single boxed / Pallet of single boxed / Pallet of bulk pack / Pallet of bulk pack.
All dimensions are in inches. Specifications subject to change without notice.

Project/Job name

Architect/Engineer

Contractor

Model

Q'ty

Notes

Installation profile

