



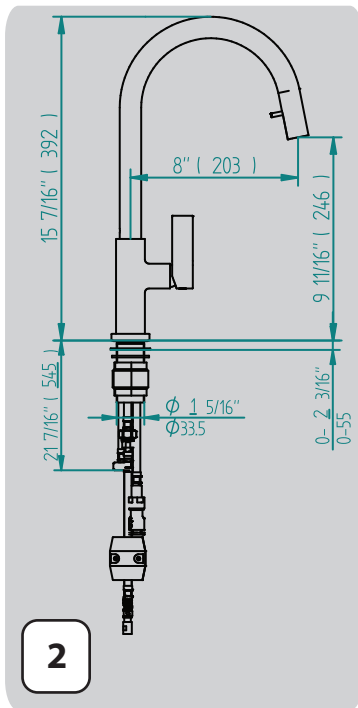
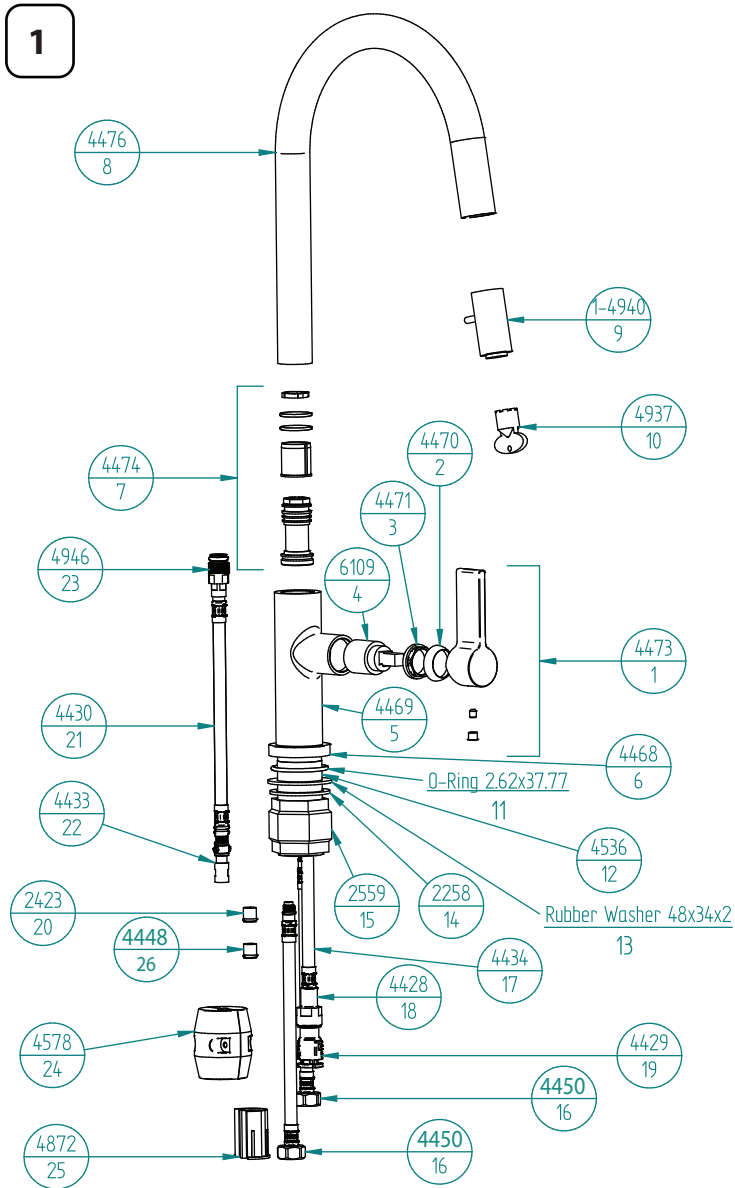
HAMATUSA
WORLD OF WATER SINCE 1944



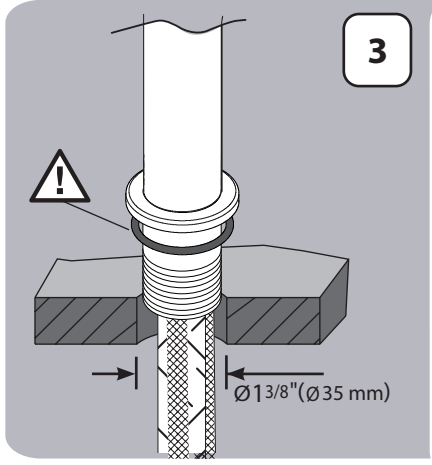

≤ 145 psi ≤ 10 bar


≤ 176°F ≤ 80°C

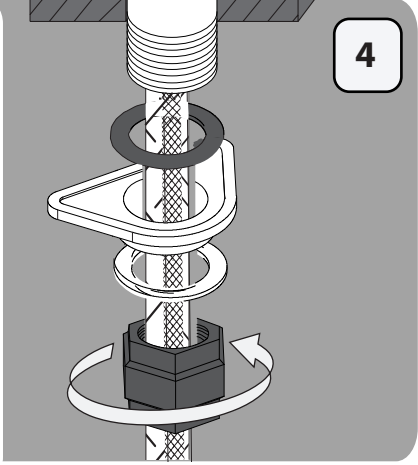
1



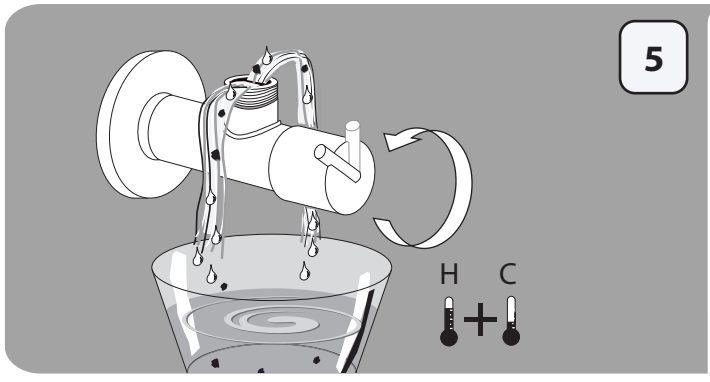
2



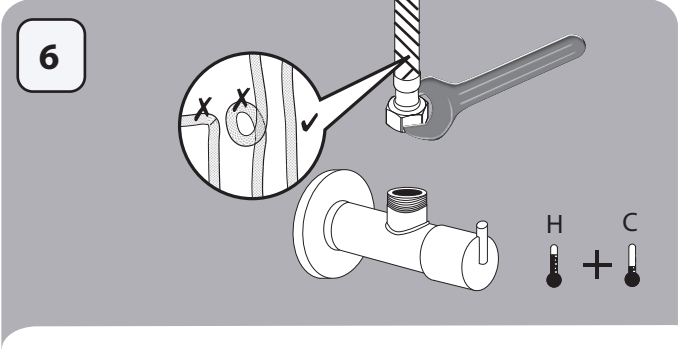
3



4



5



6