

Kilncrest Fireclay Collection Fireclay Apron Front Workstation Double Bowl

Model KIL-3320DW-WH - White
 KIL-3320DW-MB – Matte Black
 KIL-3320DW-MG – Matte Gray
 KIL-3320DW-MWH – Matte White



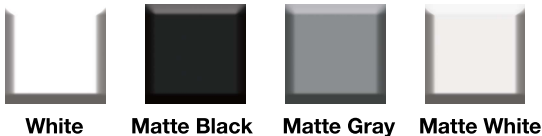
KIL-3320DW

FEATURES

- Apron Front Installation
- Non-porous glossy surface
- 9" interior depth / 10" exterior depth
- 3-1/2" drain opening
- Chip, crack and scratch resistant
- 4 distinctive colors
- Requires custom cabinet
- Includes: Wood cutting board, drying tray, multi-purpose roll-up mat, bottom grid, and basket strainer
- No cut out template is supplied as each sink dimension will vary due to the nature of fireclay manufacturing process.
- Lifetime Limited Warranty



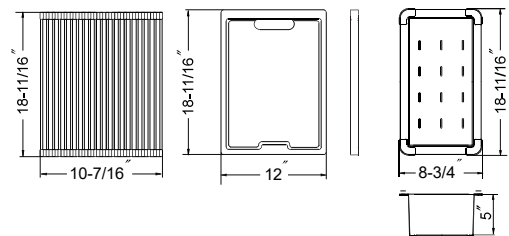
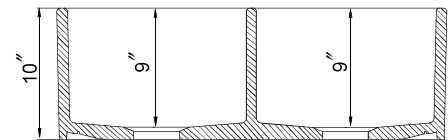
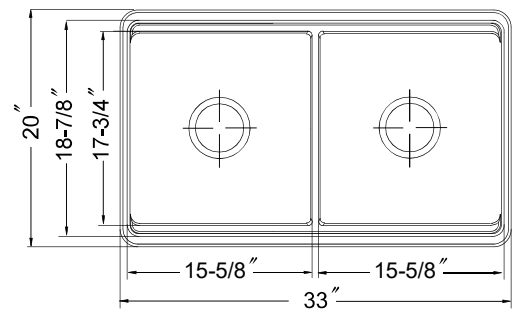
OPTIONAL COLORS



Color variations possible due to printing constraints.

OVERALL DIMENSIONS	EACH BOWL	PACKAGING*	WEIGHT*
33" x 20"	15-5/8" x 18-7/8"	1/10 pcs.	140/1440lbs.

*Standard packaging: Single boxed /Pallet of single boxed.
 All dimensions are in inches. Specifications subject to change without notice.



OPTIONAL ACCESSORIES

Bottom Grid: SWG-1517F Drying Tray: DRY-920
 Cutting Board : CUT-1318F Roll-Up Mat: ROL-1118
 Strainer: BAS-2000-SS

Project/Job name _____

Architect/Engineer _____

Contractor _____

Model _____ Q'ty _____

Notes _____