

## Nero Collection

# 10mm Radius Undermount Single Bowl Model **NER-2618S**



### FEATURES

- Manufactured with innovative PVD and Nano technology over premium grade T-304 stainless steel.
- 10" depth • 18 gauge
- TotalGuard+ Insulation over Sound Deadening Pads
- StoneShield Undercoating
- Brushed satin • Rear-set drain
- 3-1/2" drain opening
- Fits 30" sink base
- Supplied with cutout template, fasteners and instructions
- 5-Year Limited Warranty



### OPTIONAL ACCESSORIES

Bottom Grid: SWG-2516 BL  
Cutting Board : CUT-1518  
Strainer: BAS-2000 BL

OVERALL DIMENSIONS	EACH BOWL	CUTOUT SIZE	PACKAGING*	WEIGHT*
26-1/2" x 18"	24-1/2" x 16"	See Template	1/12 pcs.	28/376 lbs.

\*Standard packaging: Single boxed /Pallet of single boxed.  
All dimensions are in inches. Specifications subject to change without notice.

Project/Job name \_\_\_\_\_

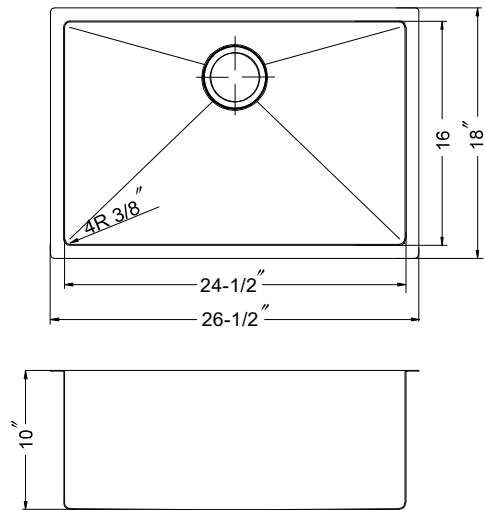
Architect/Engineer \_\_\_\_\_

Contractor \_\_\_\_\_

Model \_\_\_\_\_ Qty \_\_\_\_\_

Notes \_\_\_\_\_

NER-2618S



### Installation profile

