

**Rendezvous Collection**  
**10mm Radius Undermount**  
**Large Single Bowl**  
 Sliding Platform System  
**Model : REN-16-3218S**



**\*\*Installation note: Recommended minimum of 3/4" between front of faucet base and rear edge of sink cut-out for cutting board clearance\*\***

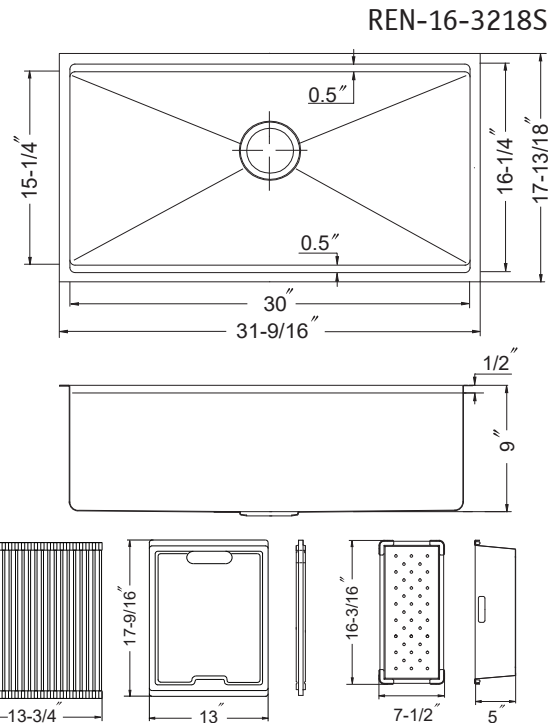
**FEATURES**

- Premium grade T-304 stainless steel
- Handmade sink with scored bottom
- 9" depth • 16 gauge
- TotalGuard+ Insulation over Sound Deadening Pads
- StoneShield Undercoating
- Brushed satin, rear-set drain
- 3-1/2" drain opening • Fits 36" sink base
- Supplied with cutout template, fasteners and instructions
- All accessories designed to fit platform ledge except cutting board
- Includes : Wood Cutting Board, Drying Tray, Multi-Purpose Roll-Up Mat, Bottom grid, Stainless Steel Basket Strainer
- Lifetime Limited Warranty



**OPTIONAL ACCESSORIES**

Bottom Grid: SWG-3015    Drying Tray: DRY-716  
 Cutting Board : CUT-1418    Roll-Up Mat: ROL-1416  
 Strainer: BAS-2000-SS



OVERALL DIMENSIONS	EACH BOWL	CUTOUT SIZE	PACKAGING*	WEIGHT*
31-9/16" x 17-13/18"	30" x 15-1/4"	See Template	1/12 pcs.	37/484 lbs.

\*Standard packaging: Single boxed /Pallet of single boxed.  
 All dimensions are in inches. Specifications subject to change without notice.

Project/Job name \_\_\_\_\_

Architect/Engineer \_\_\_\_\_

Contractor \_\_\_\_\_

Model	Qty

Notes \_\_\_\_\_

**Installation profile**

