

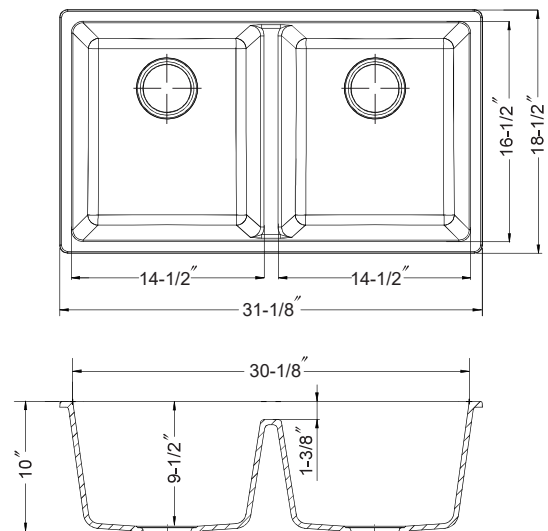
**Siostone Collection**  
**Undermount 50/50 Double Bowl**  
**Model SIO-2917DU**



SIO-2917DU

**FEATURES**

- 80% quartz
- 9-1/2" depth
- Intrinsically hygienic non-porous surface
- Antibacterial protection with silver ion Microstop
- Silky to the touch, 3 times harder than natural granite
- Food-safe, UV-stable (will not fade)
- Heat resistance to +500°F • Available in 5 colors
- Highest resistance to thermal shock, scratches and chips
- Ariapure features odor and pollutant disinfection
- Fits 36" sink base
- Supplied with cutout template, fasteners and instructions
- Limited Lifetime Warranty



**OPTIONAL COLORS**



OVERALL DIMENSIONS	EACH BOWL	CUTOUT SIZE	PACKAGING*	WEIGHT*
31-1/8" x 18-1/2"	14-1/2 x 16-1/2"	See Template	1/10 pcs.	48/520lbs.

\*Standard packaging: Single boxed /Pallet of single boxed.  
 All dimensions are in inches. Specifications subject to change without notice.

**OPTIONAL ACCESSORIES**

Bottom Grid: CWG-1214  
 Strainer Options: Stainless steel strainers,  
 Color strainers, Color Disposal flanges

Project/Job name \_\_\_\_\_

Architect/Engineer \_\_\_\_\_

Contractor \_\_\_\_\_

Model \_\_\_\_\_ Qty \_\_\_\_\_

Notes \_\_\_\_\_