

Tureen Collection

Topmount 80/20 Double Bowl Model TUR-3322DT



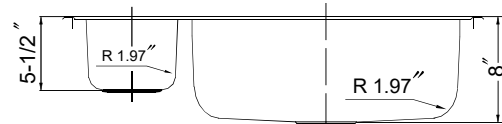
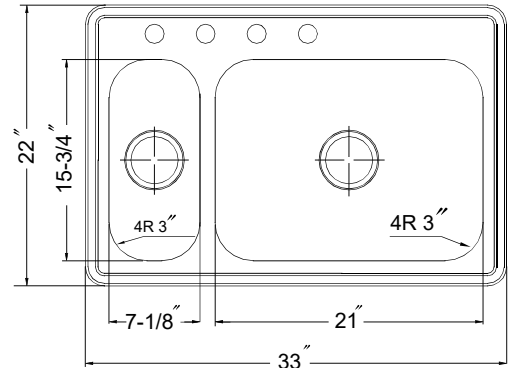
TUR-3322DT

FEATURES

- Premium grade T-304 stainless steel
- 5-1/2" & 8" depth • 20 gauge
- StoneShield undercoating over Sound Deadening pad
- Lustrous satin with highlighted rim
- Fits 36" sink base
- 3-1/2" drain opening
- Supplied with fasteners and instructions
- Complies with ASME A112.19.3-2008, cUPC®
- Lifetime Limited Warranty



ASME A112.19.3-2008



OPTIONAL ACCESSORIES

Bottom Grid: SWG-715 & SWG-2014 Rinsing Basket: RIN-20156
 Cutting Board : CUT-1417 Strainer: BAS-2000-SS
 Colander : COL-8156

OVERALL DIMENSIONS	EACH BOWL	CUTOUT SIZE	PACKAGING*	WEIGHT*
33" x 22"	7-1/8" x 15-3/4" 21" x 15-3/4"	32-1/2" x 21-1/2"	1/16/20 pcs.	17/310/330 lbs.

*Standard packaging: Single boxed / Pallet of single boxed / Pallet of bulk pack.
 All dimensions are in inches. Specifications subject to change without notice.

Project/Job name _____

Architect/Engineer _____

Contractor _____

Model _____ Q'ty _____

Notes _____

Installation profile

