

Axiom Collection

10mm Radius Undermount Prep Bowl Model AXI-1214B



AXI-1214B

FEATURES

- Premium grade T-304 stainless steel
- 8" depth • 18 gauge
- Totalguard+ insulation
- 10mm/0.4" Radius Coved Corner
- Brushed satin, rear-set drain • 3-1/2" drain opening
- Fits 24" sink base
- Supplied with cutout template, fasteners and instructions
- Complies with ASME A112.19.3-2008, cUPC®
- Lifetime Limited Warranty



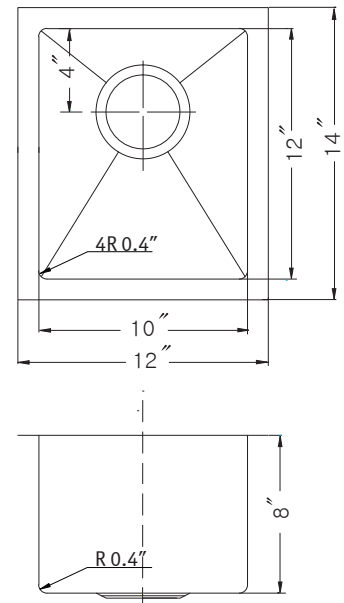
ASME A112.19.3-2008



OPTIONAL ACCESSORIES

Bottom Grid: SWG-1012

Strainer: BAS-2000-SS



OVERALL DIMENSIONS	EACH BOWL	CUTOUT SIZE	PACKAGING*	WEIGHT*
12" x 14"	10" x 12"	See Template	1/12 pcs.	15/350 lbs.

*Standard packaging: Single boxed /Pallet of single boxed.
All dimensions are in inches. Specifications subject to change without notice.

Project/Job name _____

Architect/Engineer _____

Contractor _____

Model _____ Q'ty _____

Notes _____

Installation profile

