

## Axiom Collection

# 10mm Radius Undermount Double Bowl Model AXI-3218D



AXI-3218D

### FEATURES

- Premium grade T-304 stainless steel
- 10" depth • 18 gauge
- Totalguard+ insulation
- 10mm/0.4" Radius Coved Corner
- Brushed satin, rear-set drain • 3-1/2" drain opening
- Fits 36" sink base
- Supplied with cutout template, fasteners and instructions
- Complies with ASME A112.19.3-2008, cUPC®
- Lifetime Limited Warranty



ASME A112.19.3-2008

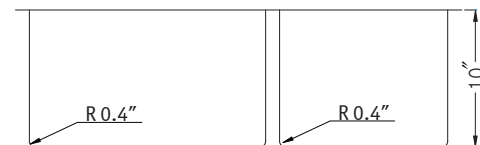
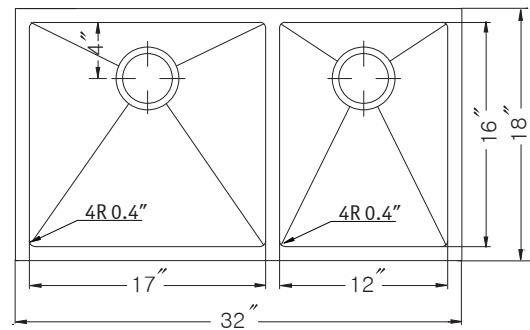


### OPTIONAL ACCESSORIES

Bottom Grid: SWG-1716, SWG-1216

Cutting Board : CUT-1518

Strainer: BAS-2000-SS



OVERALL DIMENSIONS	EACH BOWL	CUTOUT SIZE	PACKAGING*	WEIGHT*
32" x 18"	17" x 16", 12" x 16"	See Template	1/12 pcs.	37/480 lbs.

\*Standard packaging: Single boxed /Pallet of single boxed.  
All dimensions are in inches. Specifications subject to change without notice.

Project/Job name \_\_\_\_\_

Architect/Engineer \_\_\_\_\_

Contractor \_\_\_\_\_

Model \_\_\_\_\_ Q'ty \_\_\_\_\_

Notes \_\_\_\_\_

### Installation profile

