

## Classic Collection

# Undermount Single Bowl Model CLA-2318S



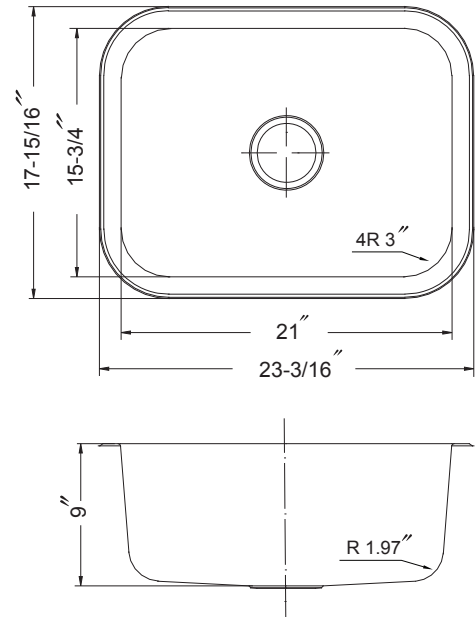
CLA-2318S

### FEATURES

- Premium grade T-304 stainless steel
- 9" depth • 18 gauge
- StoneShield undercoating over Sound Deadening pad
- Spexedge
- Lustrous satin with highlighted rim
- Fits 30" sink base • 3-1/2" drain opening
- Supplied with cutout template, fasteners and instructions
- Complies with ASME A112.19.3-2008, cUPC®
- Lifetime Limited Warranty



ASME A112.19.3-2008



### OPTIONAL ACCESSORIES

Bottom Grid: SWG-2014

Cutting Board : CUT-1417

Rinsing Basket: RIN-20156

Strainer: BAS-2000-SSO

OVERALL DIMENSIONS	EACH BOWL	CUTOUT SIZE	PACKAGING*	WEIGHT*
23-3/16" x 17-15/16"	21" x 15-3/4"	See Template	1/16/20 pcs.	13/240/250 lbs.

\*Standard packaging: Single boxed /Pallet of single boxed/Pallet of bulk pack.  
All dimensions are in inches. Specifications subject to change without notice.

Project/Job name \_\_\_\_\_

Architect/Engineer \_\_\_\_\_

Contractor \_\_\_\_\_

Model \_\_\_\_\_ Q'ty \_\_\_\_\_

Notes \_\_\_\_\_

### Installation profile

