

Contrive Collection

Zero radius Topmount Large Single Bowl Model CON-3322ST



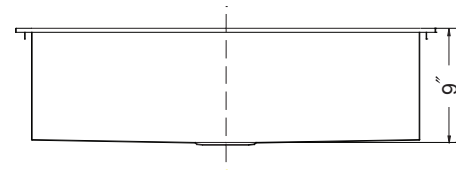
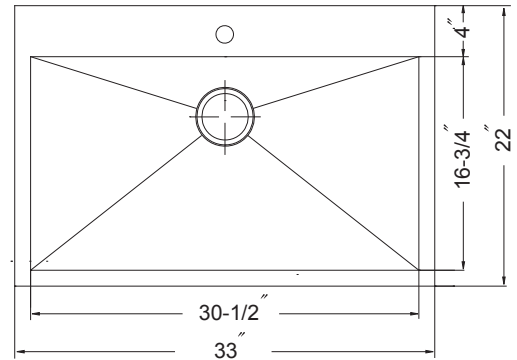
FEATURES

CON-3322ST

- Premium grade T-304 stainless steel
- 9" depth • 18 gauge
- Totalguard+ insulation
- True zero radius ledge and bottom
- Brushed satin, rear-set drain • 3-1/2" drain opening
- Fits 36" sink base
- Supplied with fasteners and instructions
- cUPC® Listed
- Lifetime Limited Warranty



ASME A112.19.3-2008



OPTIONAL ACCESSORIES

Bottom Grid: SWG-3117

Cutting Board : CUT-1319

Strainer: BAS-2000-SS

OVERALL DIMENSIONS	EACH BOWL	CUTOUT SIZE	PACKAGING*	WEIGHT*
33" x 22"	30-1/2" x 16-3/4"	32-1/4" x 21-1/4"	1/12 pcs.	27/370 lbs.

*Standard packaging: Single boxed /Pallet of single boxed.

All dimensions are in inches. Specifications subject to change without notice.

Project/Job name

Architect/Engineer

Contractor

Model

Q'ty

Notes

Installation profile

