

Gourmet Collection

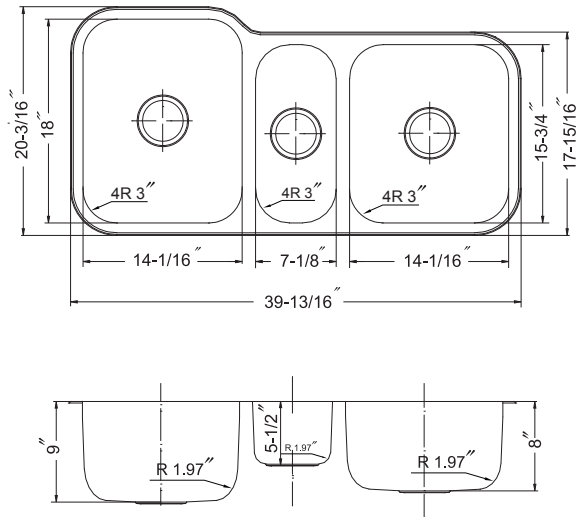
**Undermount Triple Bowl
Model GOR-4021T**



FEATURES

GOR-4021T

- Premium grade T-304 stainless steel
- 9", 5-1/2" & 8" depth
- 18 gauge
- StoneShield undercoating over Sound Deadening pad
- Spexedge
- Lustrous satin with highlighted rim
- Fits 45" sink base • 3-1/2" drain opening
- Supplied with cutout template, fasteners and instructions
- Complies with ASME A112.19.3-2008, cUPC®
- Lifetime Limited Warranty



ASME A112.19.3-2008



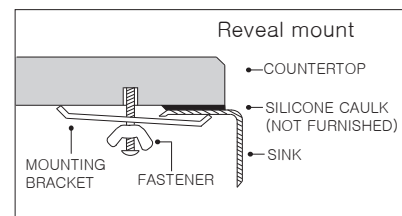
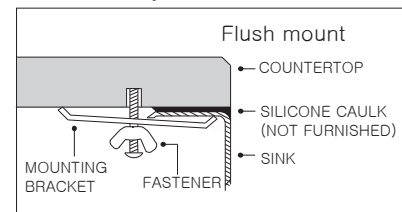
OPTIONAL ACCESSORIES

- Bottom Grid: SWG-715, SWG-1214 & SWG-1215
 Rinsing Basket: RIN-20156 Cutting Board : CUT-1517
 Strainer: BAS-2000-SS Colander : COL-8156

OVERALL DIMENSIONS	EACH BOWL	CUTOUT SIZE	PACKAGING*	WEIGHT*
39-13/16" x 20-3/16"	14-1/16" x 18" 7-1/8" x 15-3/4" 14-1/16" x 15-3/4"	See Template	1/10/20 pcs.	31/380/600 lbs.

*Standard packaging: Single boxed /Pallet of single boxed/Pallet of bulk pack.
 All dimensions are in inches. Specifications subject to change without notice.

Installation profile



Project/Job name _____

Architect/Engineer _____

Contractor _____

Model _____ Q'ty _____

Notes _____