

Hotel Collection

Bar Sink

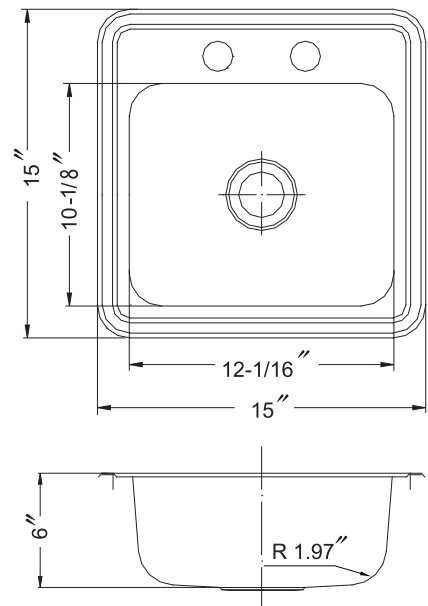
Model HOT-1515ST



FEATURES

- Premium grade T-304 stainless steel
- 6" depth • 2 holes
- 22 gauge
- StoneShield undercoating over Sound Deadening pad
- Fits 18" sink base
- 2" drain opening
- Supplied with fasteners and instructions
- Complies with ASME A112.19.3-2008, cUPC®
- Lifetime Limited Warranty

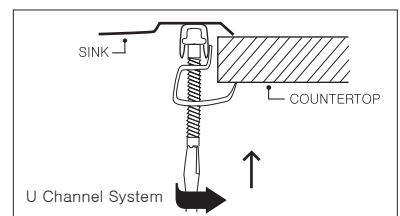
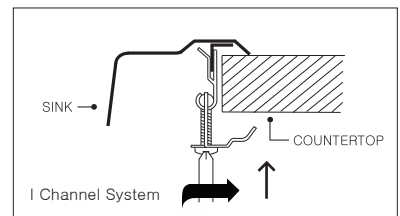
HOT-1515ST



OPTIONAL ACCESSORIES

- Bottom Grid: SWG-119
- Strainer: BAS-2000-SS

Installation profile



OVERALL DIMENSIONS	EACH BOWL	CUTOUT SIZE	PACKAGING*	WEIGHT*
15" x 15"	12-1/16" x 10-1/8"	14-1/4" x 14-1/4"	1/48/40 pcs.	6/270/180 lbs.

*Standard packaging: Single boxed /Pallet of single boxed/Pallet of bulk pack.
All dimensions are in inches. Specifications subject to change without notice.

Project/Job name _____

Architect/Engineer _____

Contractor _____

Model _____ Q'ty _____

Notes _____