

Hotel Collection

Topmount Round Prep Sink Model HOT-18RT



HOT-18RT

FEATURES

- Premium grade T-304 stainless steel
- 7" depth
- 18 gauge
- StoneShield undercoating over Sound Deadening pad
- Lustrous satin with highlighted rim
- Fits 36" sink base
- 3-1/2" drain opening
- Supplied with fasteners and instructions
- Complies with ASME A112.19.3-2008, cUPC®
- Lifetime Limited Warranty



ASME A112.19.3-2008

TYPE 304
PREMIUM STAINLESS STEEL

SOUND
DEADENING PADS

StoneShield™
UNDERCOAT PROTECTION

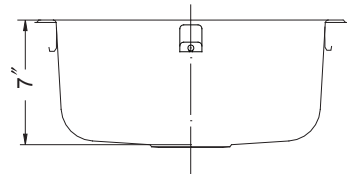
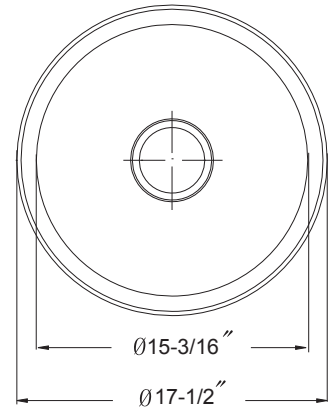
Lifetime
Warranty

OPTIONAL ACCESSORIES

Bottom Grid: BG-1800

Cutting Board : CB-1800

Strainer: 190-9180



OVERALL DIMENSIONS	EACH BOWL	CUTOUT SIZE	PACKAGING*	WEIGHT*
Ø17-1/2"	Ø15-3/16"	Ø15-11/16"	1/32/40 pcs.	10/360/380 lbs.

*Standard packaging: Single boxed /Pallet of single boxed/Pallet of bulk pack.
All dimensions are in inches. Specifications subject to change without notice.

Project/Job name _____

Architect/Engineer _____

Contractor _____

Model _____ Q'ty _____

Notes _____

Installation profile

