

# Hydrus Collection

## Undermount Single Bowl

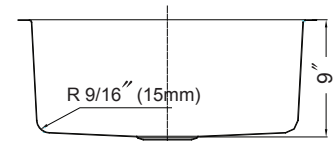
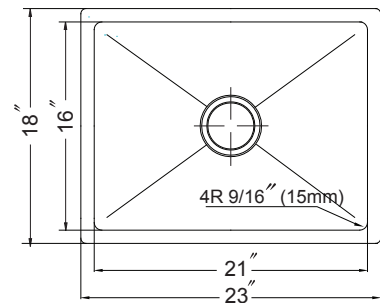
### Model HYD-2318S



HYD-2318S

#### FEATURES

- Premium grade T-304 stainless steel
- 9" depth • 18 gauge
- StoneShield undercoating over Sound Deadening pad
- 15mm seamlessly drawn corner radius
- Fits 30" sink base
- 3-1/2" rear-set drain opening
- Supplied with cutout template, fasteners and instructions
- cUPC® Listed
- Lifetime Limited Warranty



#### OPTIONAL ACCESSORIES

Bottom Grid: SWG-2015

Cutting Board : CUT-1218

Strainer: BAS-2000-SS

OVERALL DIMENSIONS	EACH BOWL	CUTOUT SIZE	PACKAGING*	WEIGHT*
23" x 18"	21" x 16"	See Template	1/16/20 pc.	17/312/300 lbs.

\*Standard packaging: Single boxed /Pallet of single boxed/Pallet of bulk pack.  
All dimensions are in inches. Specifications subject to change without notice.

Project/Job name \_\_\_\_\_

Architect/Engineer \_\_\_\_\_

Contractor \_\_\_\_\_

Model \_\_\_\_\_ Q'ty \_\_\_\_\_

Notes \_\_\_\_\_

#### Installation profile

