

## Revive Collection

### Topmount 60/40 Double Bowl

**Model REV-3322DRT-1** (1 hole)

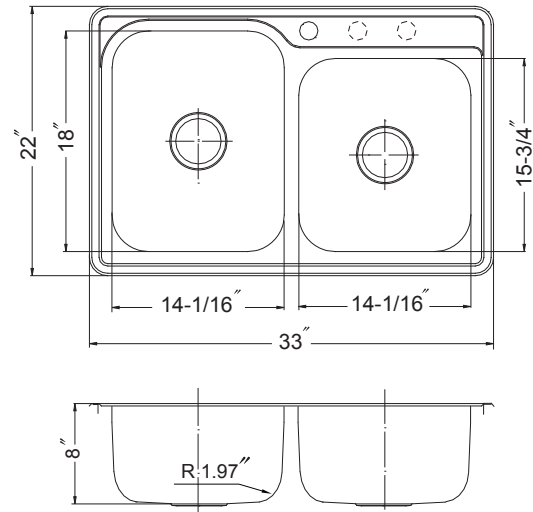
**REV-3322DRT-3** (3 holes)



#### FEATURES

- Premium grade T-304 stainless steel
- 8" depth • 20 gauge
- One or Three holes
- StoneShield undercoating over Sound Deadening pad
- Lustrous satin with highlighted rim
- Fits 36" sink base • 3-1/2" drain opening
- Supplied with fasteners and instructions
- Complies with ASME A112.19.3-2008, cUPC®
- Lifetime Limited Warranty

REV-3322DRT



ASME A112.19.3-2008



#### OPTIONAL ACCESSORIES

Bottom Grid: SWG-1214 & SWG-1215

Cutting Board : CUT-1517

Strainer: BAS-2000-SS

OVERALL DIMENSIONS	EACH BOWL	CUTOUT SIZE	PACKAGING*	WEIGHT*
33" x 22"	14-1/16" x 18" 14-1/16" x 15-3/4"	32-1/4" x 21-1/4"	1/16/20 pcs.	18/320/320 lbs.

\*Standard packaging: Single boxed /Pallet of single boxed/Pallet of bulk pack.  
All dimensions are in inches. Specifications subject to change without notice.

Project/Job name \_\_\_\_\_

Architect/Engineer \_\_\_\_\_

Contractor \_\_\_\_\_

Model \_\_\_\_\_ Q'ty \_\_\_\_\_

Notes \_\_\_\_\_

#### Installation profile

